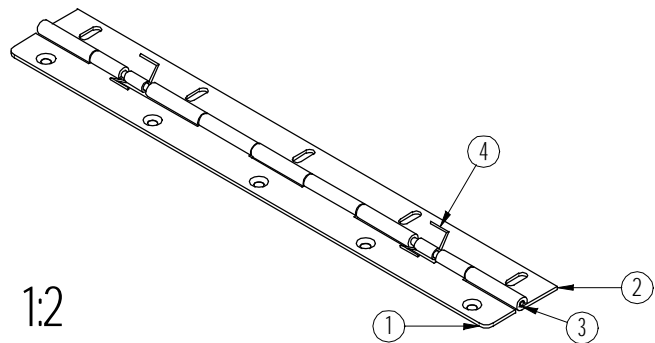


SECTION (5x) A-A
2:1



4	2	torsiebeer	1.4310 (vbst)	RSF-1102-L	15666
3	1	Pin	3.3535 (Alu)	Ø3 x 270	
2	1	Hinge part	3.3535 (Alu)	270 x 20 x 1,5	
1	1	Hinge part	3.3535 (Alu)	270 x 20 x 1,5	
Pos.number	Quantity	Description	Material	Standard size	Remarks

Tolerances according to DIN ISO 2768-m		
Scale :	1:1	Units : mm
Drawn :	Bosch	Date : XX-XX-XX
02	05-06-16	J.N.
01	05-06-03	J.N.
Rev/Nr.	Date	Name

BOSCH
Hinges

For custom hinges

www.boschhinges.com

description: Continuous spring hinge

DIN A3

Drawingno : Part
Pagina : 000

Copyright reserved ©