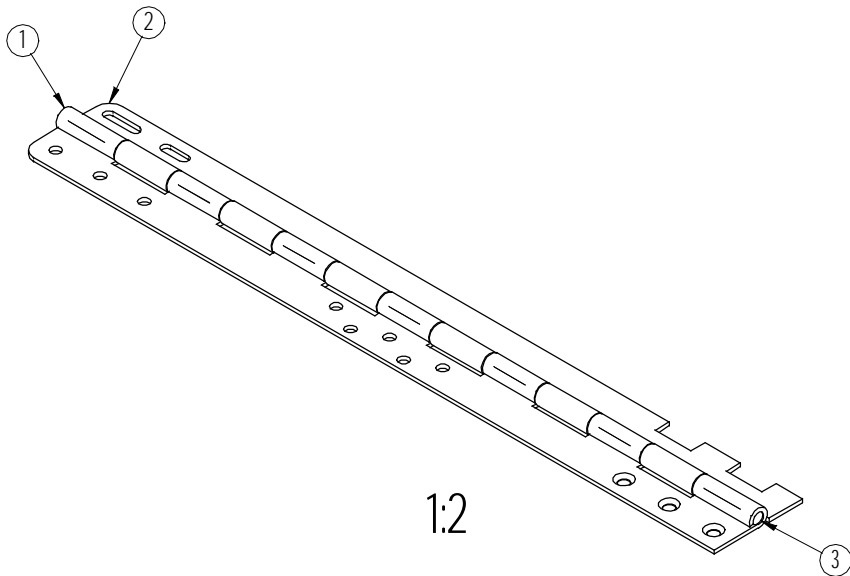
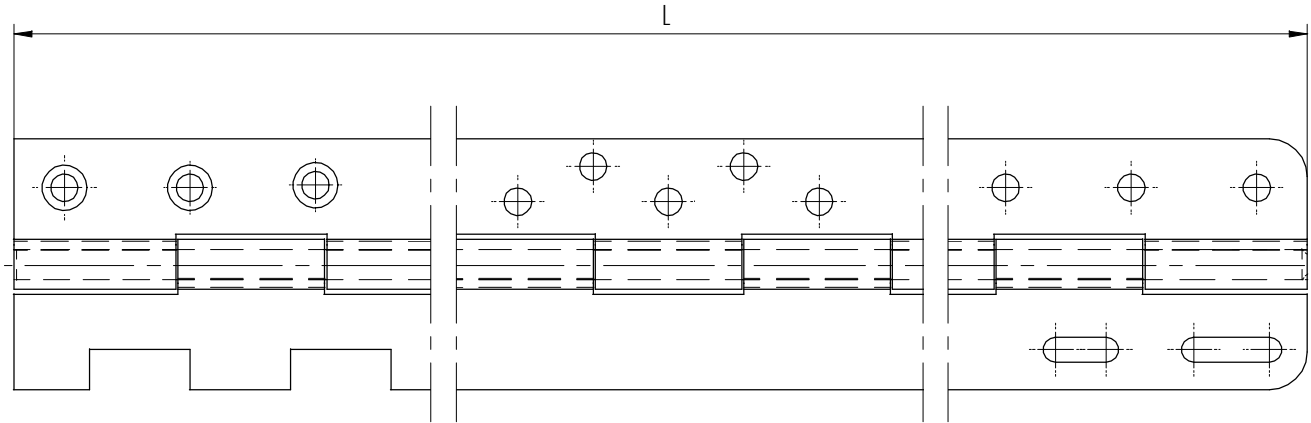
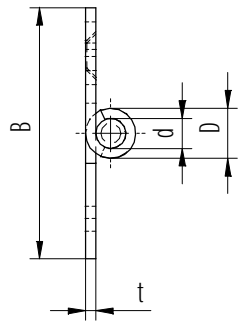


# Example piano hinge.



1:2

3	1	Pin			
2	1	Hinge part			
1	1	Hinge part			
Pos.number	Quantity	Description	Material	Standard size	Remarks
Tolerances according to DIN ISO 2768-m			<b>BOSCH</b> For custom hinges Hinges www.boschhinges.com description: Piano hinge, special DIN A3 Drawing: Special Paper: 000		
Scale: 1:1		Units: mm			
Drawn: J.B.B.		Date: '06-04-14			
Rev.Nr.		Date			
Name			Copyright reserved ©		